

Supplied By:

**TRENCHDRAIN
SUPPLY**

877-903-7246

www.trenchdrainsupply.com

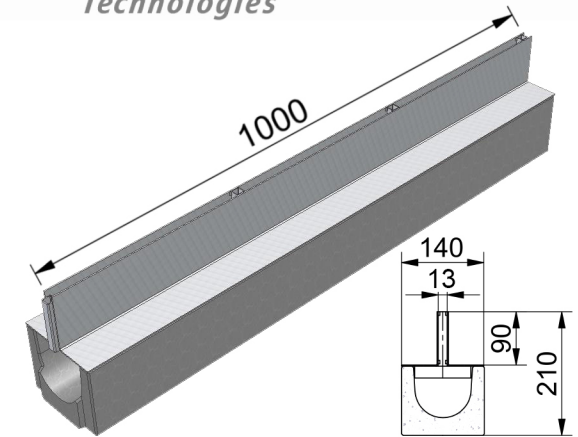
HYDROTEC

Technologies

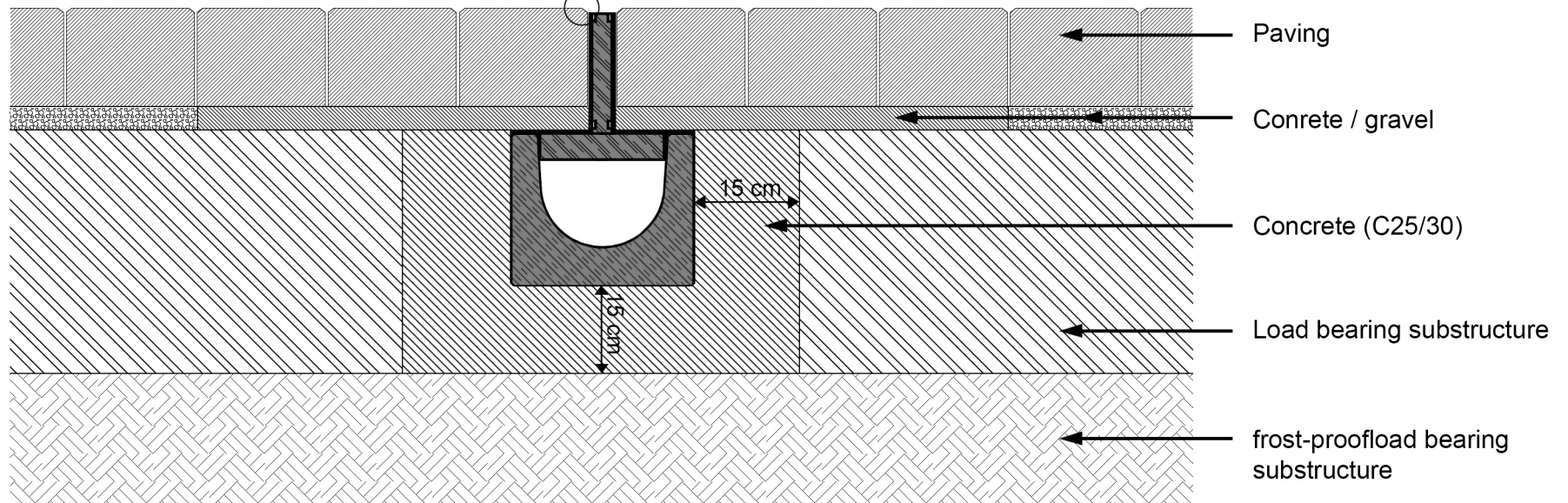
Installing MINI Slot Central

Adjoining Surface: Paving

Load Class A15 - C250



The edge protector in the drainage channel must be permanently seated 5 mm lower than the adjoining surface.



inspection grate -central:

